

# Blancke®

## air



## MULTI-NOZZLE BLOW GUN

MODEL NO: CAT212

PART NO: 3120529

## OPERATING & MAINTENANCE INSTRUCTIONS

ORIGINAL INSTRUCTIONS

GC1019 - ISS 1

---

## INTRODUCTION

---

Thank you for purchasing this CLARKE Blow Gun.

Before attempting to use this product, please read this manual thoroughly and follow the instructions carefully. In doing so you will ensure the safety of yourself and that of others around you, and you can look forward to your purchase giving you long and satisfactory service.

**Please keep these instructions in a safe place for future reference.**

---

## SPECIFICATION

---

Dimensions (L x W x H)	66 x 20 x 137 mm (gun only) Length with small attachment 120 nmm Length with medium attachment 210 nmm Length with large attachment 382 nmm
Weight	124 g
Max Operating Pressure	90 psi (6.2 bar)
Air Inlet Size	1/4" BSP male

---

## GUARANTEE

---

This product is guaranteed against faulty manufacture for a period of 12 months from the date of purchase. Please keep your receipt which will be required as proof of purchase.

This guarantee is invalid if the product is found to have been abused or tampered with in any way, or not used for the purpose for which it was intended.

Faulty goods should be returned to their place of purchase, no product can be returned to us without prior permission.

This guarantee does not affect your statutory rights.

# COMPRESSED AIR REQUIREMENTS



**WARNING: COMPRESSED AIR CAN BE DANGEROUS. ENSURE THAT YOU ARE FAMILIAR WITH ALL PRECAUTIONS RELATING TO THE USE OF COMPRESSORS AND COMPRESSED AIR SUPPLY.**

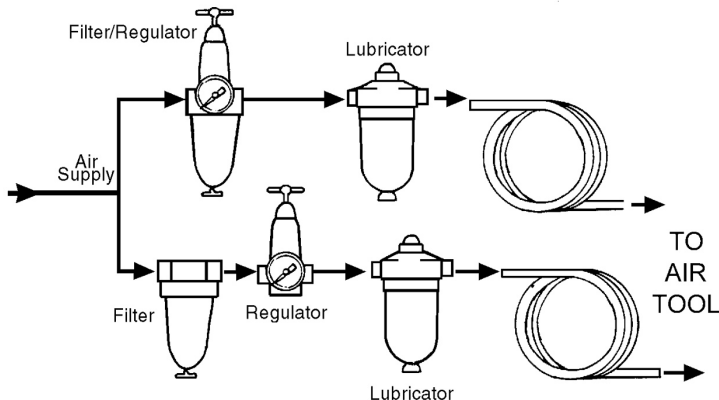
Use only clean, dry, regulated compressed air as a power source.

Air compressors used with the tool must comply with the appropriate European Community Safety Directives.

A build-up of moisture or oil in the air compressor will accelerate wear and corrosion in the tool. Ensure any moisture is drained from the compressor daily and the inlet filter is kept clean.

If an unusually long air hose is required, (over 8 metres), the line pressure or the hose inside diameter may need to be increased.

The air hose must be rated at least 150% of the maximum operating pressure of the tool.



A typical air line layout is shown above. If an automatic in-line filter/regulator is used, it will keep the tool in good condition.

For optimum performance it is recommended that a 3/8" ID hose is used.

Never exceed the maximum operating pressure for the tool. It is recommended that air pressure to this tool does not exceed 90 psi (6.2 bar) at the tool. Higher pressures and dirty air will shorten the life of the tool due to faster wear and is a possible safety hazard.

---

# GENERAL SAFETY RULES

---



CAUTION: FAILURE TO FOLLOW THESE PRECAUTIONS COULD RESULT IN PERSONAL INJURY AND/OR DAMAGE TO PROPERTY.

---

## WORK ENVIRONMENT

1. Keep the work area clean and tidy.
2. Dress appropriately - Do not wear loose clothing or jewellery. Tie long hair out of the way.
3. Keep children and visitors away - Do not let children handle the blow gun.
4. DO NOT operate the tool where there are flammable liquids or gases.

## USE OF AIR POWERED TOOLS

1. Stay alert and use common sense - do not operate this air tool when you are tired or under the influence of alcohol, drugs or medication.
2. **ALWAYS wear eye protectors when using the blow gun. Eye protectors must provide protection from flying particles from the front and the side.**
3. DO NOT use the blow gun when other persons or animals are nearby or may be hit by flying debris caused by the blow gun.
4. Observers or bystanders should also wear eye protection.
5. DO NOT overreach - Keep proper footing and balance at all times.
6. Never use oxygen, CO<sup>2</sup>, combustible gasses or any type of bottled gas as a source of power for this blow gun.
7. DO NOT connect the air supply hose with your finger on the trigger.
8. DO NOT exceed the maximum pressure of 90 psi / 6.2 bar.
9. Keep the air hose away from heat, oil and sharp edges.
10. DO NOT fit the blow gun to any stand or clamp that may damage it.
11. Check air hoses for leaks or worn condition before use and ensure that all connections are secure.
12. DO NOT use the blow gun for any purpose than described in this manual.
13. DO NOT carry out any alterations or modifications to the blow gun.
14. ALWAYS disconnect from the air supply when performing any maintenance.

15. DO NOT use the blow gun if it is defective or operating abnormally.
16. ALWAYS maintain the blow gun with care. Keep it clean for the best and safest performance.
17. DO NOT discharge this blow gun at any persons or animals.
18. DO NOT insert into any part of yours or anyone elses body.
19. DO NOT point directly at a person's skin or at a fire.
20. DO NOT carry the blow gun by the air hose or with your finger on the trigger.
21. When not in use the blow gun must be disconnected from the air supply and stored in a dry place out of the reach of children.
22. DO NOT store the blow gun where the temperature is below 0°C.

---

## BEFORE USE

---

### CONNECTING THE AIRLINE

Ensure the air supply is isolated from the airline at a shut-off valve.

1. Connect a suitable hose to the air inlet connector as shown.
2. Connect the other end of the air hose to the air compressor.
3. Set the compressed air pressure to suit the task at the airline regulator.
4. Turn on the air supply and check for air leaks. Rectify any found before proceeding.



- PTFE tape may be useful for sealing threaded connections.

5. Your blow gun is now ready for use.

You can fit a whip hose with a quick fit coupling if required, available from your CLARKE dealer.

### DISCONNECTING THE AIR SUPPLY

1. DO NOT disconnect the airline until the supply is isolated at a shut-off valve.
2. Once the pressure has been isolated, disconnect the air supply hose from the blow gun.
3. ALWAYS shut down the compressor at the end of the work session

---

## MAINTENANCE

---



**WARNING: MAKE SURE THAT THE BLOW GUN IS DISCONNECTED FROM THE AIR SUPPLY BEFORE STARTING ANY CLEANING OR MAINTENANCE.**

---

1. Before use, drain condensate from the airline filter and compressor.
2. Clean thoroughly after use with a suitable solvent.

## PERFORMANCE

Please note that factors other than the blow gun may affect its operation and efficiency such as reduced compressor output, excessive drain on the airline, moisture or restrictions in the air-line, or the use of connectors of improper size or poor condition which will reduce air supply.

Your CLARKE blow gun has been designed to give long and trouble free service. If, however, having followed the instructions in this booklet carefully, you encounter problems, take the item to your local CLARKE dealer.

---

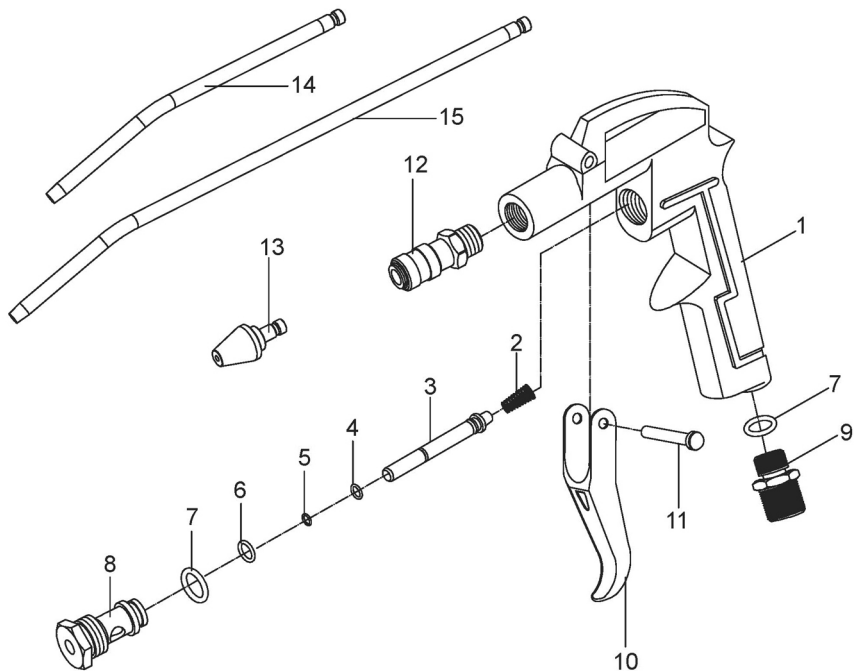
## ACCESSORIES

---

A wide range of accessories is available including filter/regulators, lubricators, high-pressure hoses (5 to 50 metres) etc.

Contact your CLARKE dealer for further information or the CLARKE International Service Department.

# COMPONENT PARTS



No	Description
1	Main Housing
2	Spring
3	Valve stem
4	O-ring
5	O-ring
6	O-ring
7	O-ring
8	Valve seat

No	Description
9	Air inlet
10	Trigger
11	Pin
12	Nozzle adaptor
13	Short nozzle
14	Medium nozzle
15	Long nozzle

# A SELECTION FROM THE VAST RANGE OF

# Clarke®

## QUALITY PRODUCTS

### AIR COMPRESSORS

From DIY to industrial, Plus air tools, spray guns and accessories.

### GENERATORS

Prime duty or emergency standby for business, home and leisure.

### POWER WASHERS

Hot and cold, electric and engine driven - we have what you need

### WELDERS

Mig, Arc, Tig and Spot. From DIY to auto/industrial.

### METALWORKING

Drills, grinders and saws for DIY and professional use.

### WOODWORKING

Saws, sanders, lathes, mortisers and dust extraction.

### HYDRAULICS

Cranes, body repair kits, transmission jacks for all types of workshop use.

### WATER PUMPS

Submersible, electric and engine driven for DIY, agriculture and industry.

### POWERTOOLS

Angle grinders, cordless drill sets, saws and sanders.

### STARTERS/CHARGERS

All sizes for car and commercial use.



**PARTS & SERVICE: 0208 988 7400**  
E-mail: [Parts@clarkeinternational.com](mailto:Parts@clarkeinternational.com) or [Service@clarkeinternational.com](mailto:Service@clarkeinternational.com)  
**SALES: UK 01992 565333 or Export 00 44 (0)1992 565335**

**Clarke** INTERNATIONAL Hemnall Street, Epping, Essex CM16 4LG  
[www.clarkeinternational.com](http://www.clarkeinternational.com)